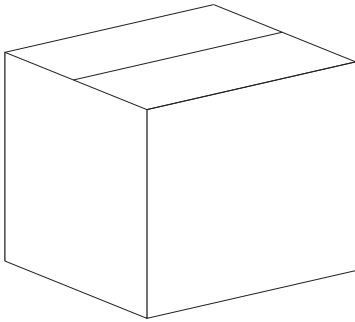


How to build the **Ultimate Cardboard Fort**

You will need...

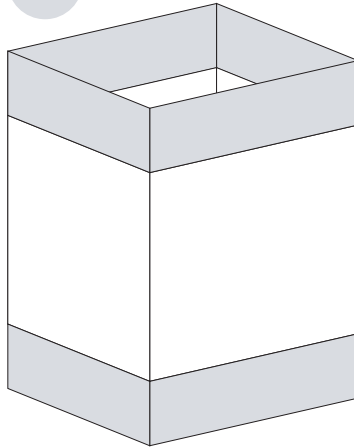
- 12 x Carboard Boxes
- Knife/Scissors
- Strong Tape

1



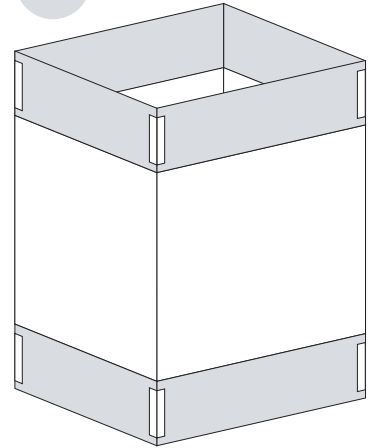
Start with a box

2



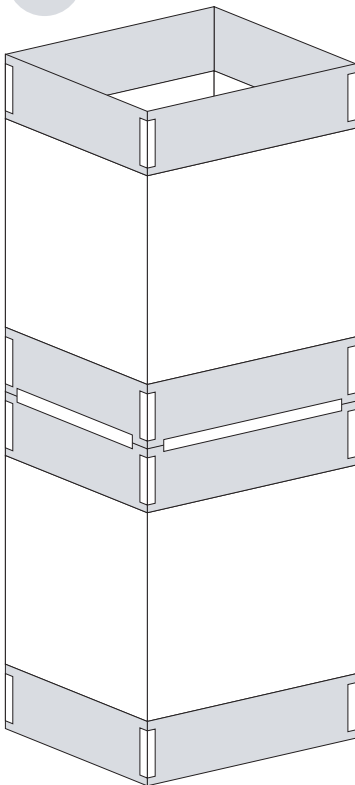
Open out the box flaps

3



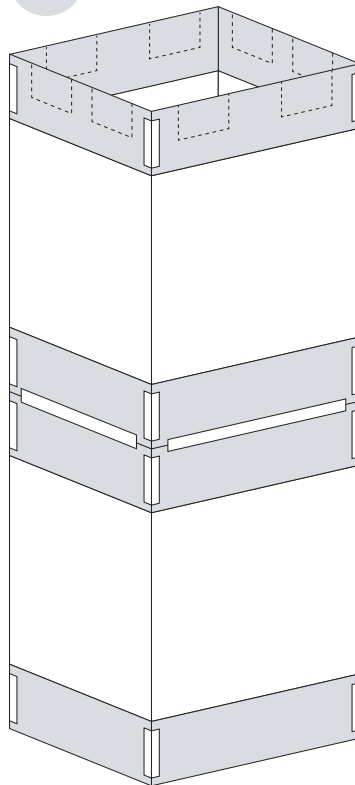
Tape the flaps so the box stands upright

4



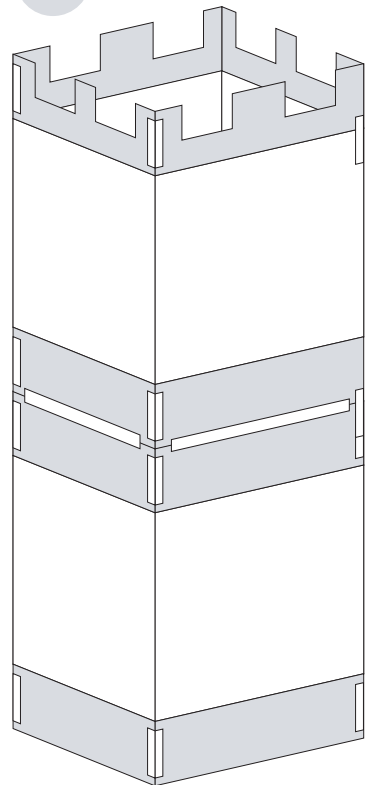
Stack 2 taped up boxes on top of each other

5



Mark out the tops of the turrets

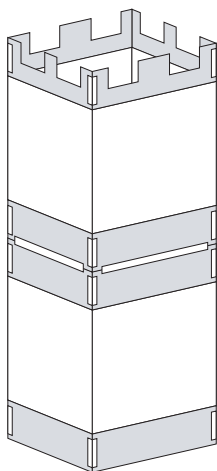
6



Cut the tops of the turrets out

How to build the **Ultimate Cardboard Fort**

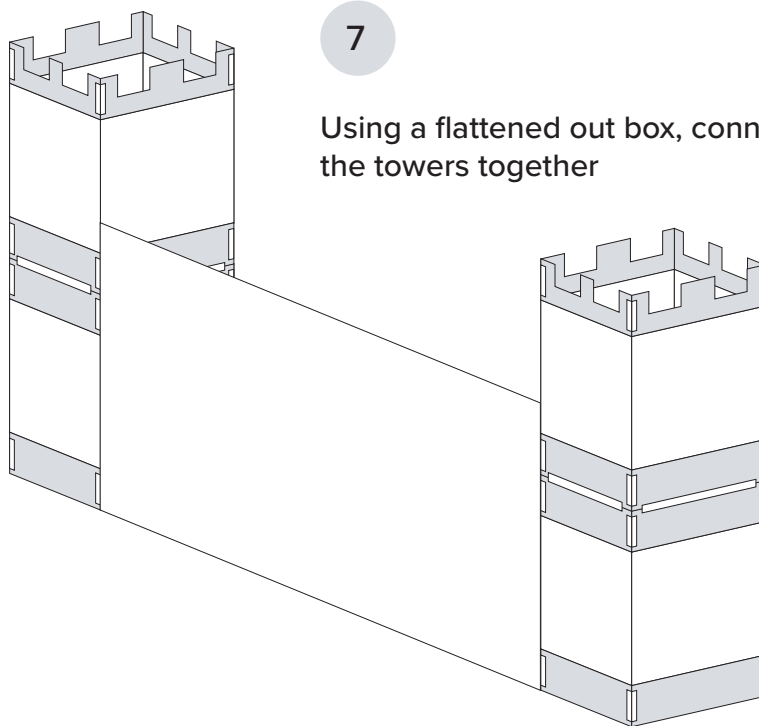
6



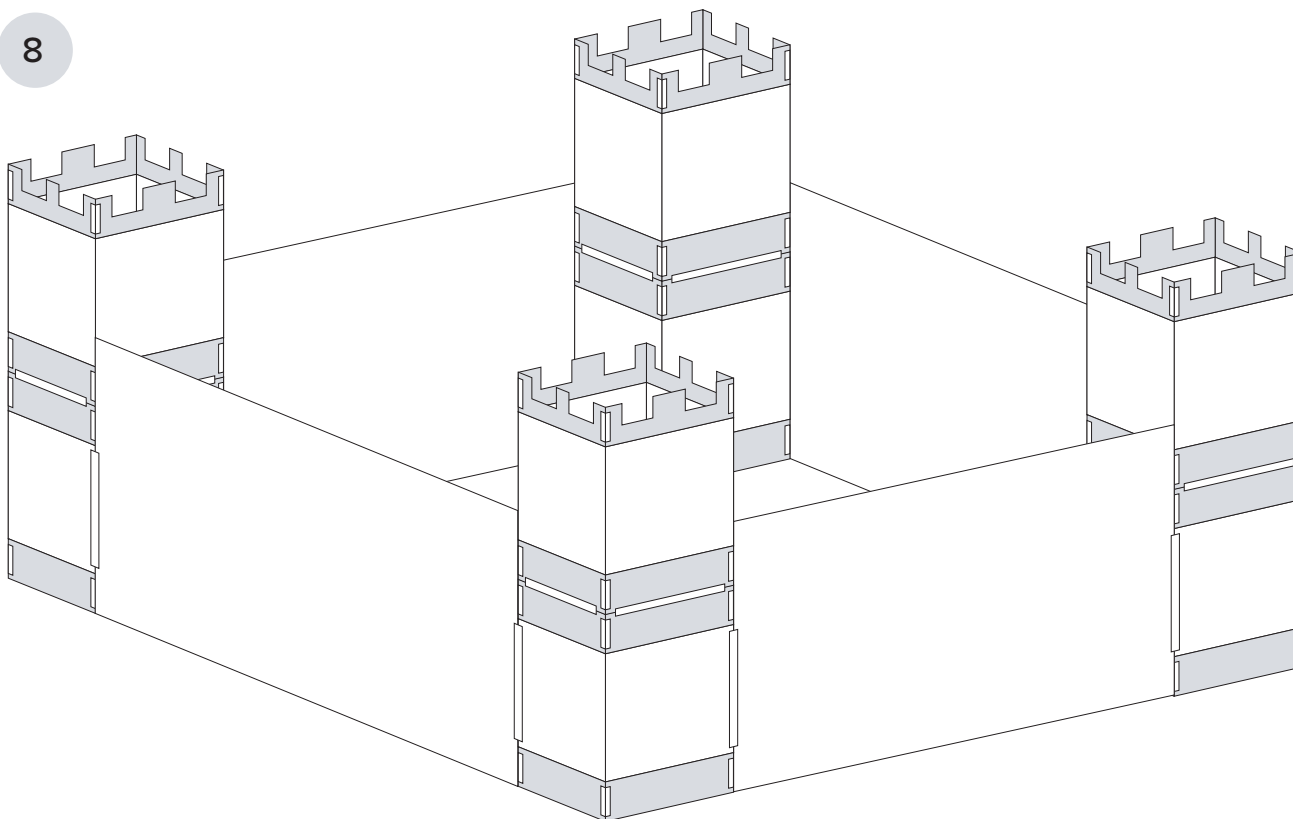
Make 3 more turrets using steps 1-6

7

Using a flattened out box, connect the towers together



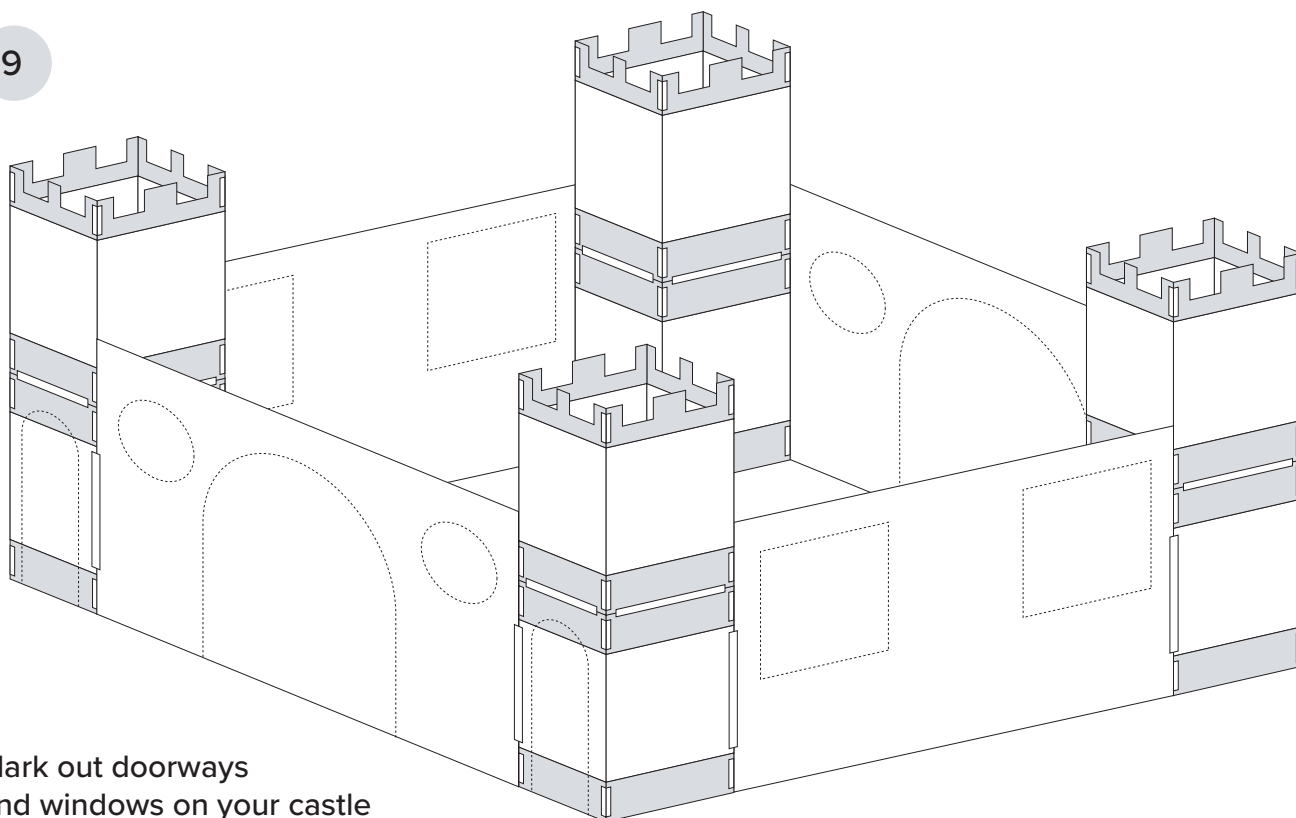
8



Tape all of the walls to the 4 towers you have built

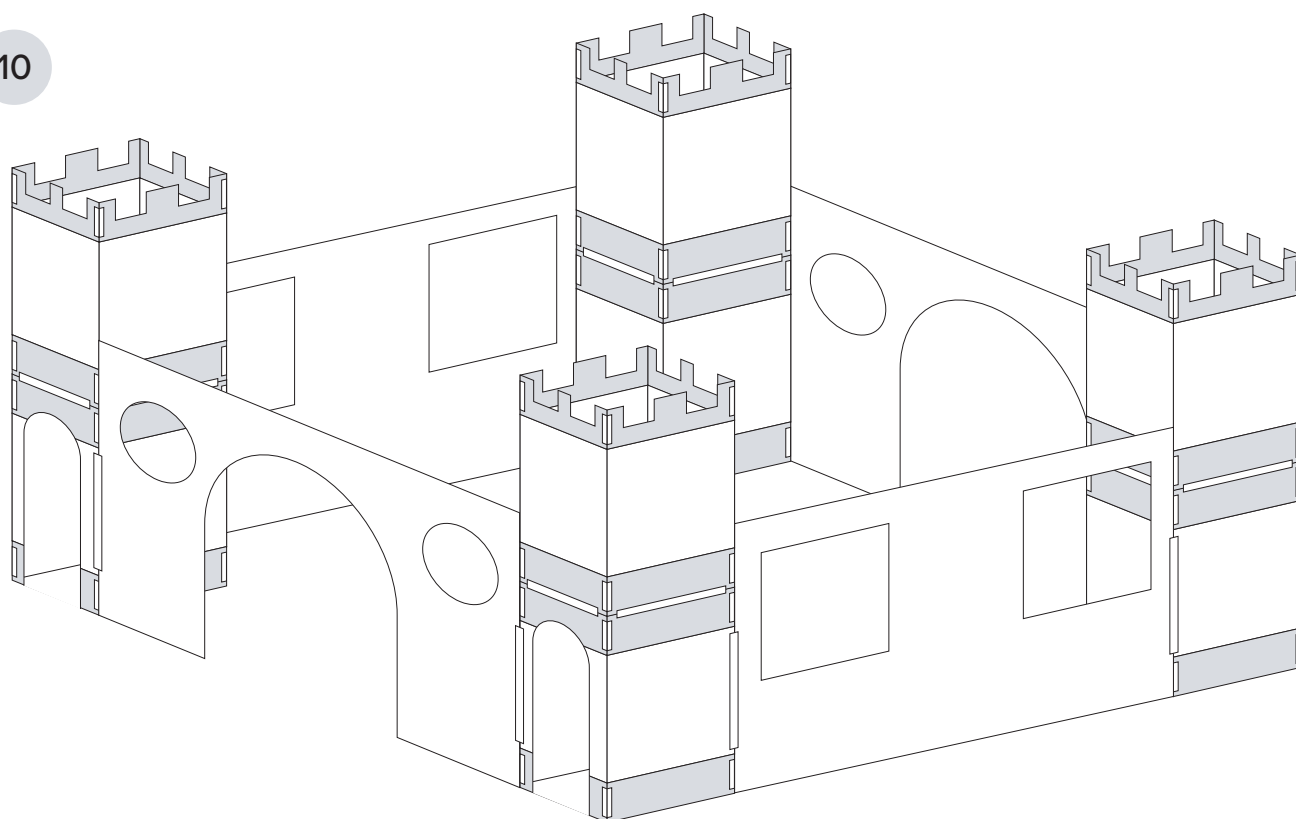
How to build the **Ultimate Cardboard Fort**

9



Mark out doorways
and windows on your castle

10



Cut out the all the doors
and windows you have marked up